

## EMT heat pump

### Datasheet

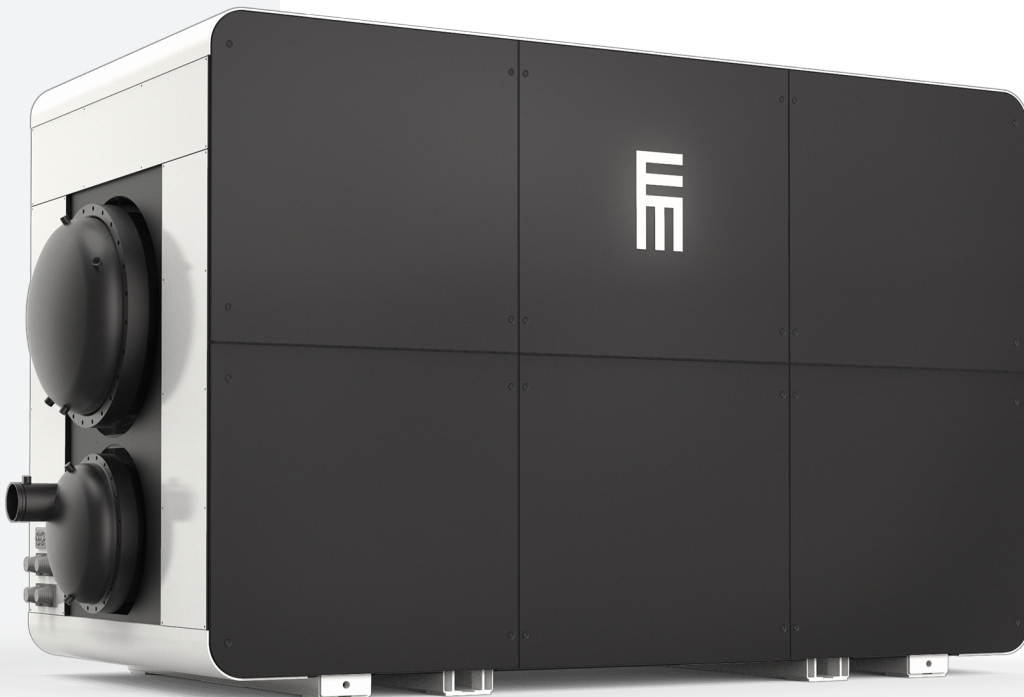
EMT-2310-1-4-FT (R1234ze)

EMT-2310-1-7-FT (R515B)

This Energy Machines™ model contains two oil-free centrifugal turbocompressors and a refrigerant circuit. The compressor is classified as a non-positive displacement compressor.

This model is equipped with a flash tank, increasing its energy efficiency. The machine's evaporator and condenser are shell-and-tube heat exchangers. The evaporator operates with a flooded evaporation technique.

These components work together to create a powerful and efficient machine.



## Performance

Winter (Heating mode)		Summer (Cooling mode)	
Heating power	758 kW	Heating power	814 kW
Cooling power	578 kW	Cooling power	656 kW
COP	4.21	COP	4.14

COP = Coefficient of performance

## Design parameters

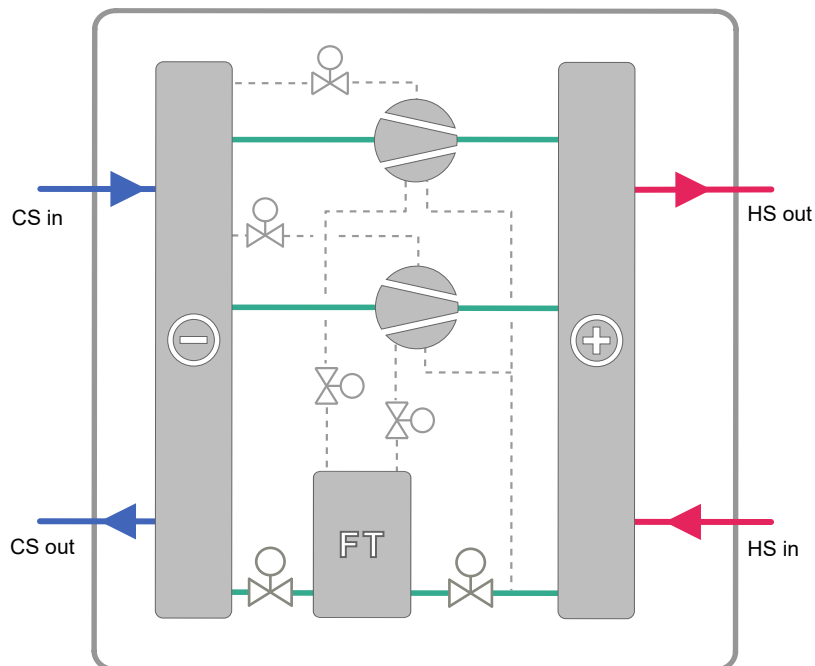
Winter (Heating mode)		Summer (Cooling mode)	
Heated fluid (in/out)	47°C / 53°C	Heated fluid (in/out)	37°C / 43°C
Chilled fluid (in/out)	12°C / 7°C	Chilled fluid (in/out)	12°C / 7°C

Chilled fluid= water, Heated fluid= water.

## Pressure drop at rated flow

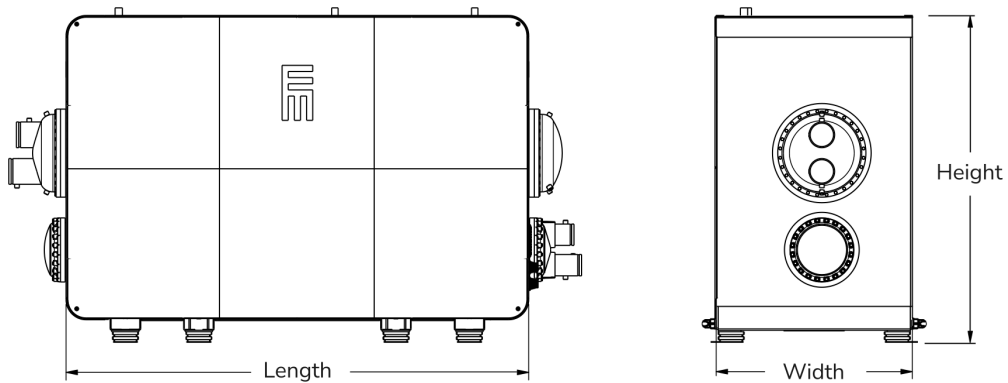
Winter (Heating mode)		Summer (Cooling mode)	
Heated fluid	32.6 kPa / 30.18 l/s	Heated fluid	38.3 kPa / 32.41 l/s
Chilled fluid	39.2 kPa / 27.62 l/s	Chilled fluid	49 kPa / 31.34 l/s

## Flow diagram



## Specifications

Refrigerant			Dimensions	
Type	R1234ze	R515B	Length / Width / Height	3040mm / 1290mm / 2140mm
GWP value	1.37	288	Weight (dry/comm.)	~ 3800 kg / 4300 kg
Charge	N/A kg			



Electricity	
Rated power supply	400 VAC / 50 Hz / 3 phase
Rated power input	200 kW
Rated current	300 A
Fuse	400 A

*Energy Machines has a policy of continuous product and data improvement and reserves the right to change design and specifications without notice. While Energy Machines strives for accuracy, we do not guarantee the completeness or correctness of the information*

