

## EMT heat pump

### Datasheet

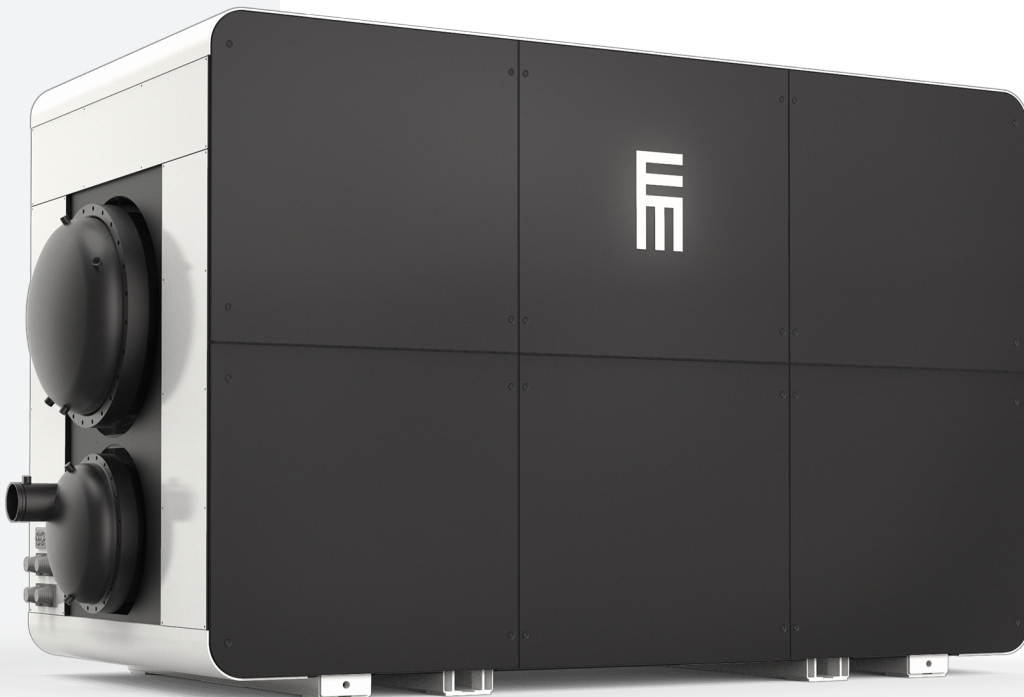
EMT-4490-1-4-FT (R1234ze)

EMT-4490-1-7-FT (R515B)

This Energy Machines™ model contains four oil-free centrifugal turbocompressors and one refrigerant circuit. The compressors are classified as non-positive displacement compressors.

This model is equipped with a flash tank, increasing its energy efficiency. The machine's evaporator and condenser are shell-and-tube heat exchangers. The evaporator operates with a flooded evaporation technique.

These components work together to create a powerful and efficient machine.



## Performance

Winter (Heating mode)		Summer (Cooling mode)	
Heating power	2356 kW	Heating power	2572 kW
Cooling power	1828 kW	Cooling power	2048 kW
COP	4.47	COP	3.91

COP = Coefficient of performance

## Design parameters

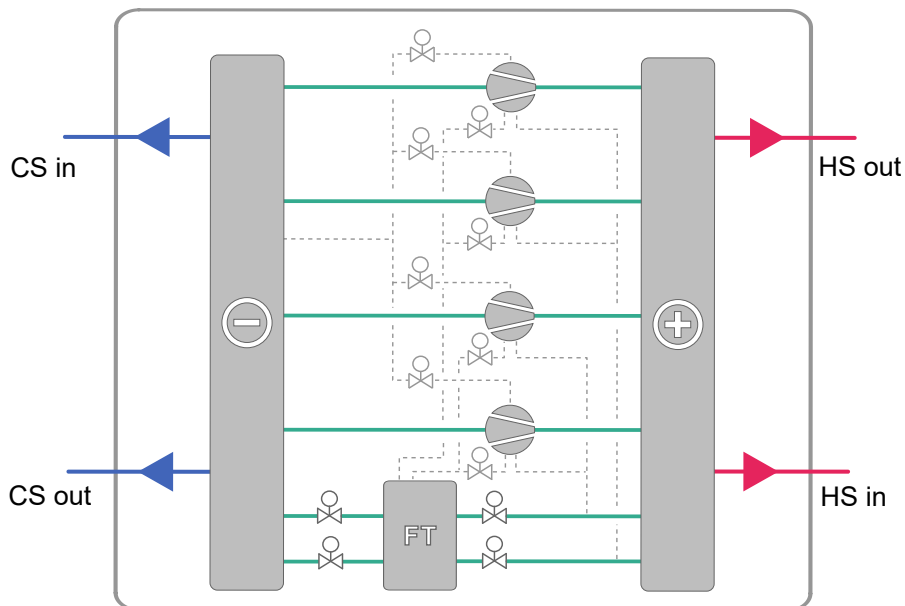
Winter (Heating mode)		Summer (Cooling mode)	
Heated fluid (in/out)	47°C / 53°C	Heated fluid (in/out)	37°C / 43°C
Chilled fluid (in/out)	12°C / 7°C	Chilled fluid (in/out)	12°C / 7°C

Chilled fluid= water, Heated fluid= water.

## Pressure drop at rated flow

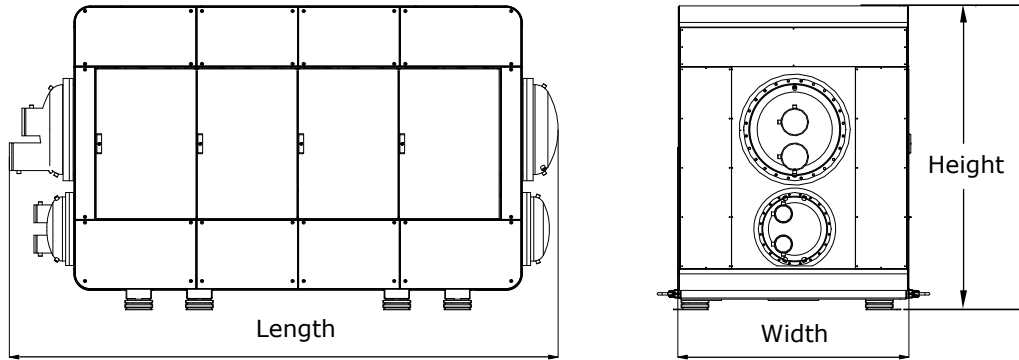
Winter (Heating mode)		Summer (Cooling mode)	
Heated fluid	38.3 kPa / 93.8 l/s	Heated fluid	46.5 kPa / 102.4 l/s
Chilled fluid	27.2 kPa / 87.34 l/s	Chilled fluid	33.5 kPa / 97.85 l/s

## Flow diagram



## Specifications

Refrigerant			Dimensions	
Type	R1234ze	R515B	Length / Width / Height	N/Amm / N/Amm / N/Amm
GWP value	1.37	288	Weight (dry/comm.)	~ N/A kg / N/A kg
Charge	N/A kg			



Electricity	
Rated power supply	400 VAC / 50 Hz / 3 phase
Rated power input	532 kW
Rated current	840 A
Fuse	1000 A

*Energy Machines has a policy of continuous product and data improvement and reserves the right to change design and specifications without notice. While Energy Machines strives for accuracy, we do not guarantee the completeness or correctness of the information*

